

# Installation Instructions

## 1400/1400W/1455/G2-1400 Wall Guard

FIG. 1

Please read all instructions before installing wall guard.

1. Cut aluminum retainer to desired length, leaving allowance for end caps, inside corners and outside corners. See Figure 1.

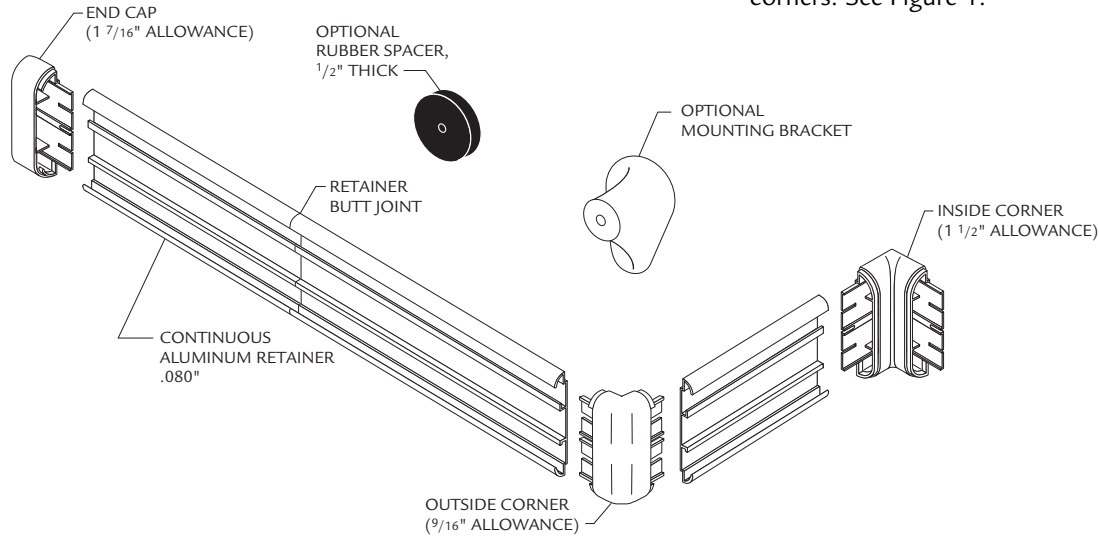
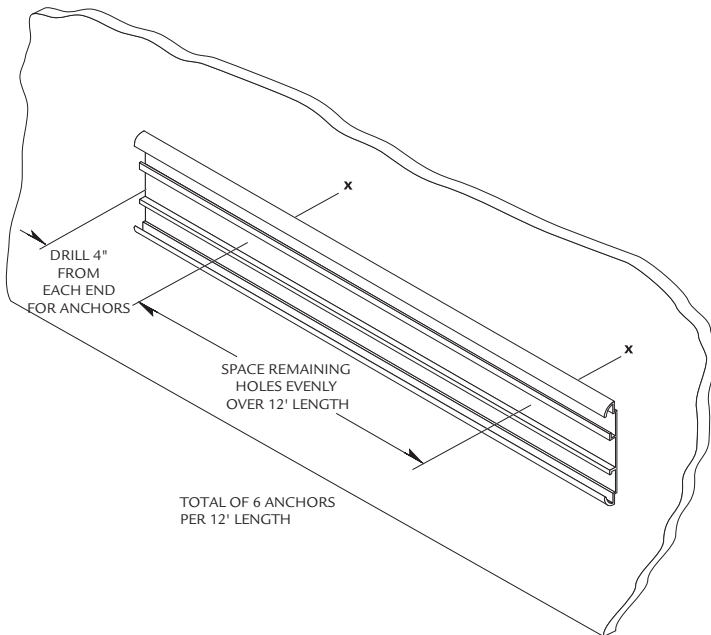


FIG. 2

2. Drill holes in centerline of retainer using 1/4" drill bit. Position retainer on wall allowing for end caps/corners. Level and mark holes. See Figure 2.

NOTE: For concrete or brick wall installation, drill 1/4" holes, 3/8" from each end of retainer for end caps/corners.



IPC.345/REV.9

### Installation Questions?

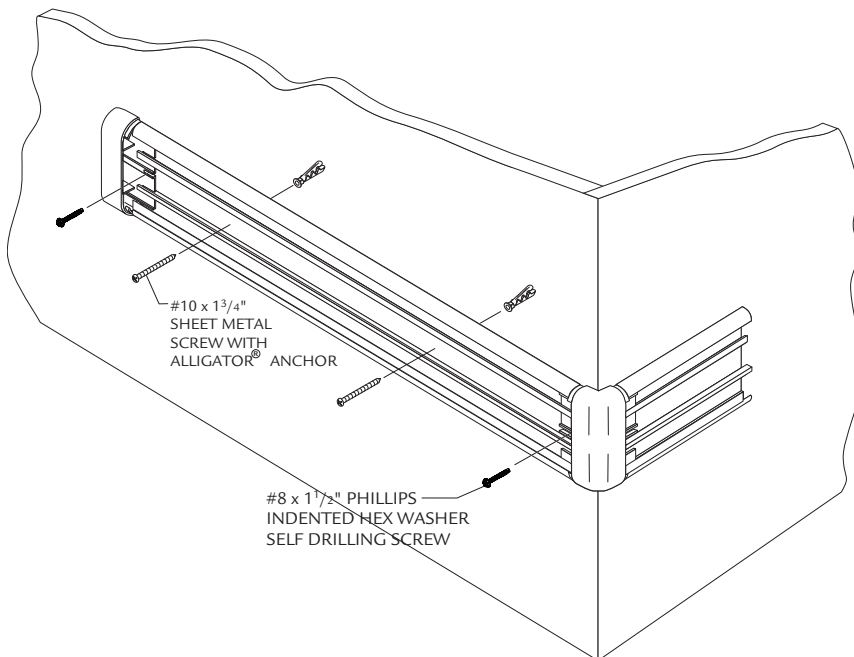
Contact our Installation Hotline 866.EZINPRO  
For Sales & Customer Service call 800.222.5556

**INPRO**  
**IPC** Interior Protection Products  
and Decorative Surfaces

# Installation Instructions

## 1400/1400W/1455/G2-1400 Wall Guard

FIG. 3



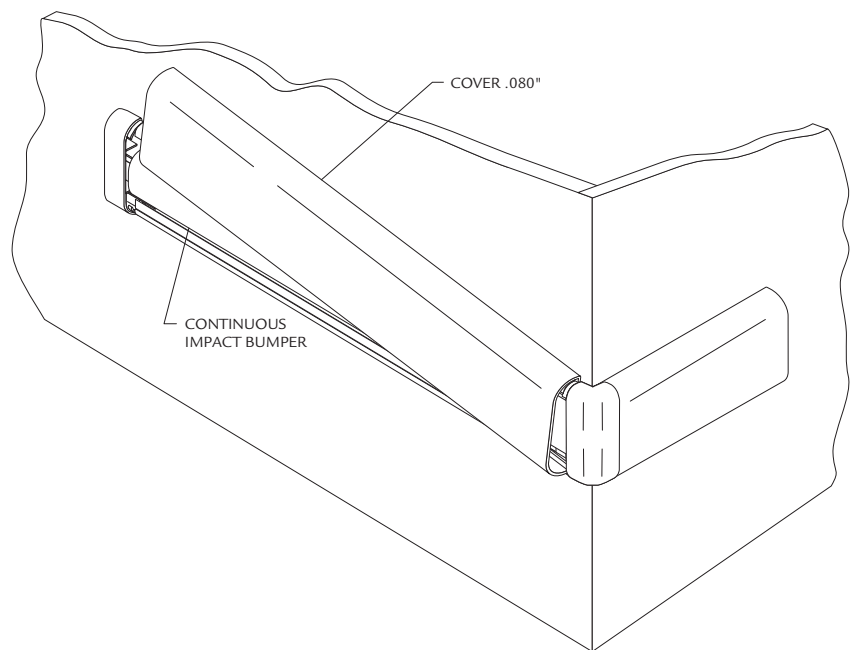
3. Drill marked holes on wall using a 1/4" drill bit and position Alligator anchors into holes. Mount retainer on wall and tighten screws to secure. Slide end caps and corners onto the retainer and secure, leaving a 1/16" gap between returns/corners and retainer to allow for adjustment. See Figure 3.

NOTE: For concrete or brick wall installation, use #10 x 1 3/4" Phillips pan head screws to secure end caps and corners.

NOTE: If rubber spacers are used, attach them behind the retainer at all mounting hole locations, including those for end caps and corners.

NOTE: If brackets are used, use a 3/4" drill bit for toggle wings or a 1/2" drill bit for lead anchors to drill the marked holes on the wall. Attach end caps and corners with 5/8" hex bolt assembly inserted from the back.

FIG. 4



4. Cut the impact bumper to the length between the inside edge of the end caps/corners. Position and snap bumper in place. Cut the cover to length between end caps and/or corners. (Note: Trim factory edges square before installation). Position cover on retainer and adjust returns and/or corners for a tight fit. Push cover over the retainer until it snaps into place. See Figure 4.

NOTE: For 1455 Only - When continuous runs are over 12', covers should be installed in consecutive order using the numbers found on the back of the covers. This ensures proper alignment of the accent strip.



### Installation Questions?

Contact our Installation Hotline 866.EZINPRO  
For Sales & Customer Service call 800.222.5556