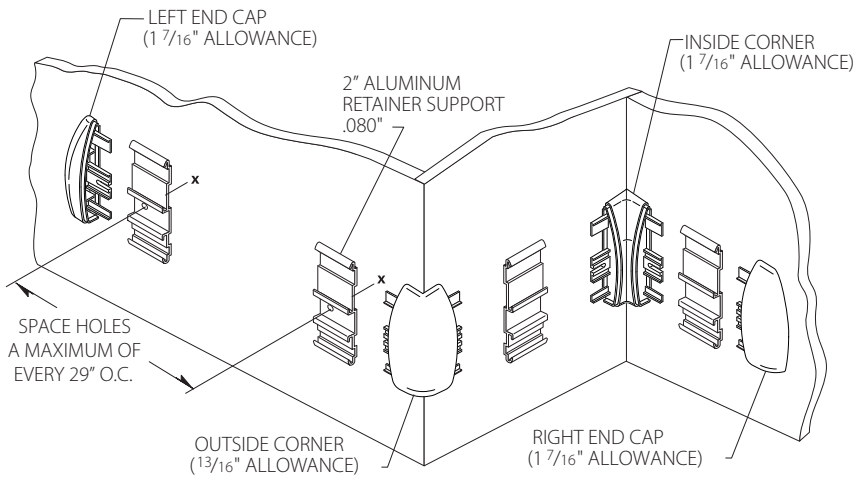


Installation Instructions

1500i/1500iW/G2-1500i Wall Guard

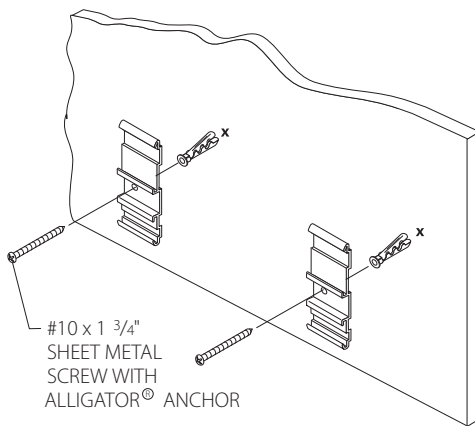
FIG. 1



Please read all instructions before installing wall guard.

1. Determine height of wall guard on wall. Measure down 2 1/2" and snap chalk line. Mark mounting holes leaving allowance for returns, outside corners and inside corners. See Figure 1.

FIG. 2



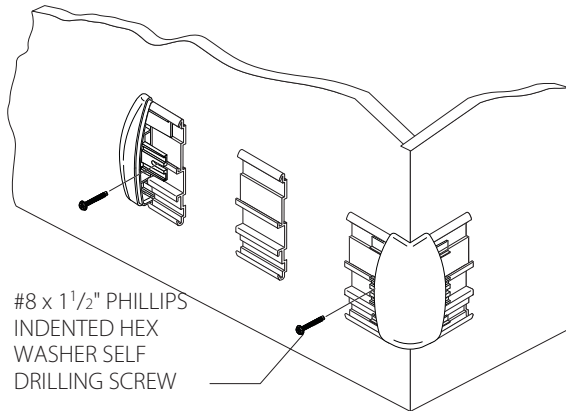
2. Drill marked holes on wall using a 1/4" drill bit and position Alligator anchors into holes. Mount retainer supports on wall and tighten screws to secure.
NOTE: For concrete or brick wall installation, drill 1/4" holes, 3/8" from end of retainer for end caps/corners. See Figure 2.

IPC.425/REV.8

Installation Instructions

1500i/1500iW/G2-1500i Wall Guard

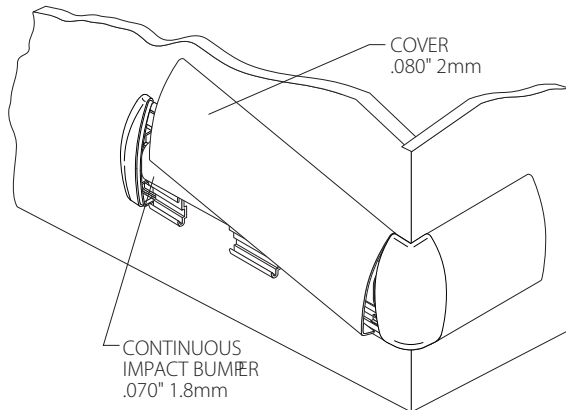
FIG. 3



- Slide end caps and corners onto the retainer support and secure, leaving a 1/16" gap between returns/corners and retainer to allow for adjustment. See Figure 3.

NOTE: For concrete or brick wall installation, use #10 x 1 3/4" Phillips pan head screws to secure end caps and corners.

FIG. 4



- Cut the impact bumper to the length between the inside edge of the end caps/corners. Position and snap bumper in place. Cut the cover to length between end caps and/or corners. (Note: Trim factory edges square before installation). Position cover on retainer and adjust returns and/or corners for a tight fit. Starting at one end of retainer supports, push cover over the retainer supports until it snaps into place. See Figure 4.