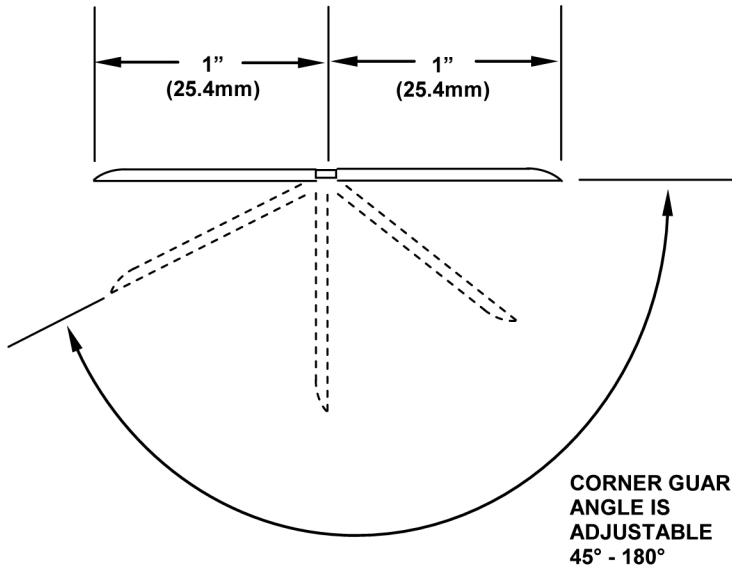


# WX13 Series, 1" Wing Adjustable Angle Clear Corner Guard

|         |      |        |           |              |
|---------|------|--------|-----------|--------------|
| HEIGHT: | Feet | Inches | QUANTITY: | COLOR: CLEAR |
|---------|------|--------|-----------|--------------|

- Standard Lengths are 4' and 8'.
- Custom Lengths are available, all custom cuts have a plus or minus 1/8" tolerance.
- Wall Thickness .045" (1.1mm)
- Made of Clear Durable Co-Polymer Polycarbonate.
- Adjustable Angle.
- Easy to Install.



## Installation

Clear Adjustable Angle Corner Guards are installed with factory attached double sided tape. To install remove backing from the tape on one wing of the corner guard. Apply to the wall in the desired location, then remove the back from the tape on the second wing and attach to the wall.

**NOTE:** The cutting of polycarbonate corner guards is not recommended due to the tough nature of the product. It is recommended that all corner guards be ordered to size in order to prevent any cutting in the field.