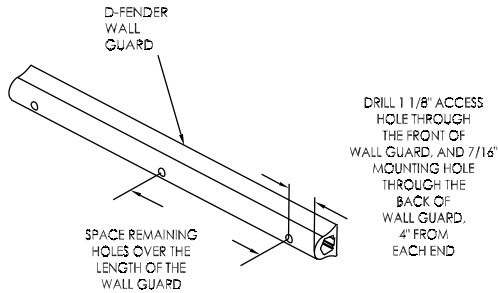


Installation Instructions

Heavy Duty Rubber D-Fender Wall Guard

FIG. 1

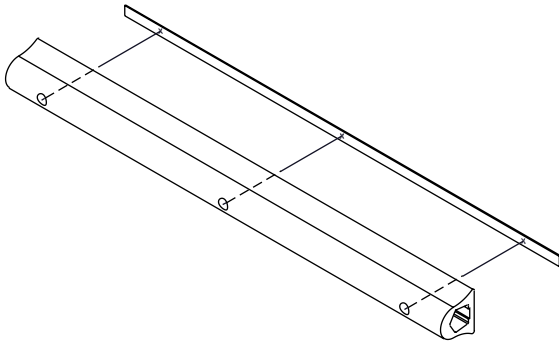


Note: Wall guards are rough-cut; cut square if needed. Height of the Wall Guard may vary over the length of the product. Match ends with similar height for best fit. To clean rubber products use water or, "Back to Black" tire cleaner for stubborn marks.

Please read all instructions before installing the wall guard.

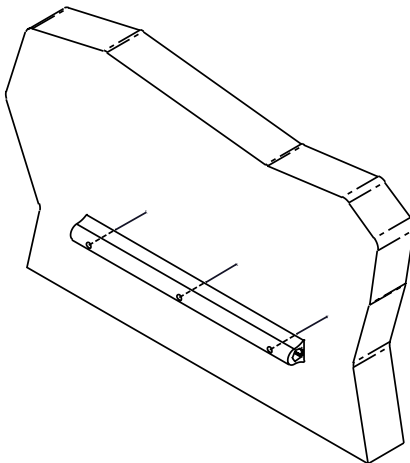
1. Cut the wall guard to desired length. Select a 3/8" stainless steel fastener that is appropriate for the substrate. Drill 1 1/8" access holes in the front of the wall guard and 7/16" mounting holes in the back of wall guard. (fig 1)

FIG. 2



2. Use the wall guard as a template and mark the location of mounting holes on the steel plate. Drill holes with a 7/16" drill bit. (fig 2)

FIG. 3



3. Use the wall guard as a template and mark the location of the mounting holes to the wall. Drill holes in the wall using the drill size recommended by the fastener manufacturer. (fig 3)

IPC.407/REV.2

Installation Questions?

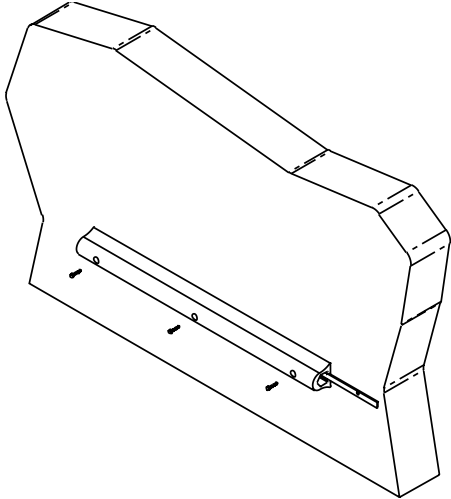
Contact our Installation Hotline 866.EZINPRO
For Sales & Customer Service call 800.222.5556

INPRO CORPORATION
Interior and Exterior Architectural Products

Installation Instructions

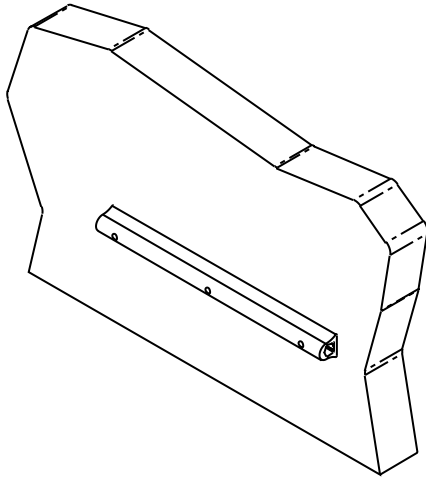
Heavy Duty Rubber D-Fender Wall Guard

FIG. 4



4. Slide the steel plate into the wall guard (fig 4) and attach the wall guard to the wall with fasteners.(fig 5) If required fill the access holes with a rubber compatible sealant.

FIG. 5



Installation Questions?

Contact our Installation Hotline 866.EZINPRO
For Sales & Customer Service call 800.222.5556

INPRO CORPORATION
Interior and Exterior Architectural Products