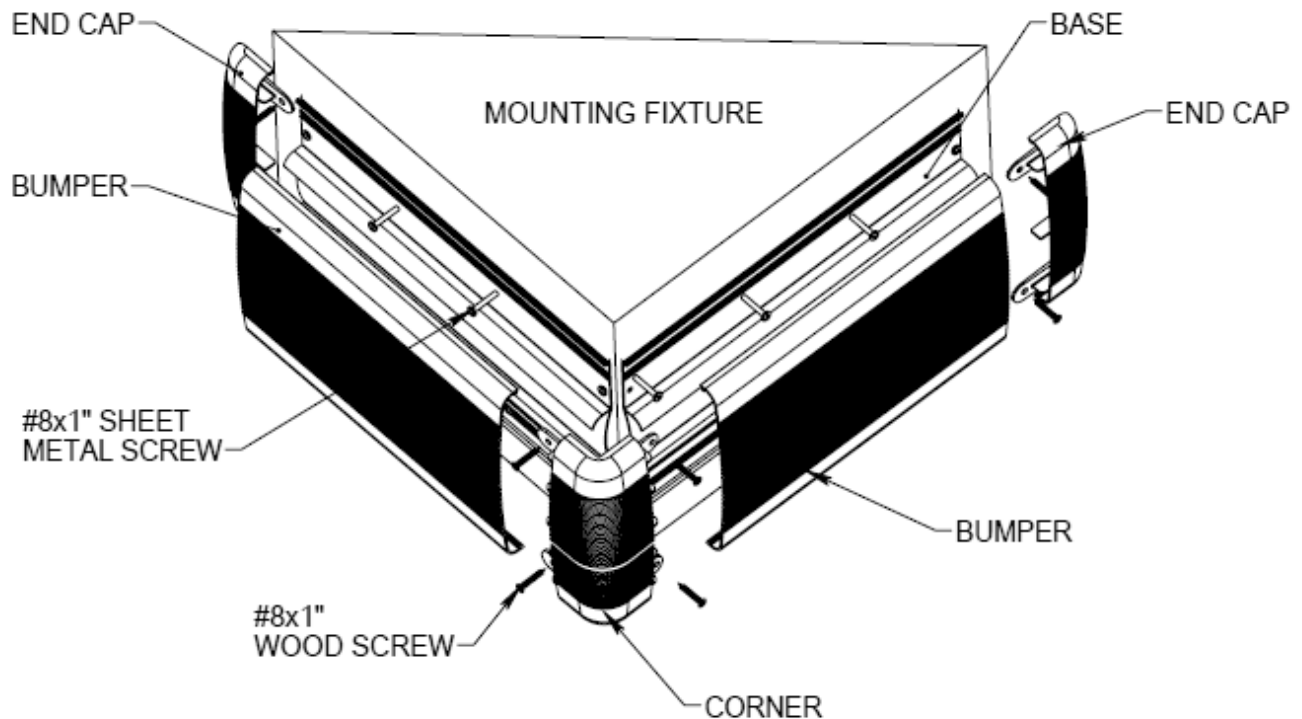


McCue Bumper Installation Instructions

McCue 8" Bumper



Tools Required:

- Saw with 10-12" blade
- Tape measure
- Flat head screwdriver
- Phillips screw driver
- Pencil or chalk line
- Drill with Philips driver bit
- Rubber mallet
- Straight edge
- Cotton rags
- Non abrasive cleaner
- Radial arm saw

Important:

Bumper must be stored at room temperature for at least 24 hours before installing.

If your bumper has a protective film on it, DO NOT remove the protective film from the bumper until the final step.

DO NOT miter bumper to create corners.

DO NOT install end caps or corners unless there is a screw $\frac{1}{4}$ " from the end of the base.

Step 1: Mark the Case or Wall

Use a tape measure and chalk line (or pencil) to mark a line on the case or wall where the top of the bumper will be placed (based on your bumper height specification).

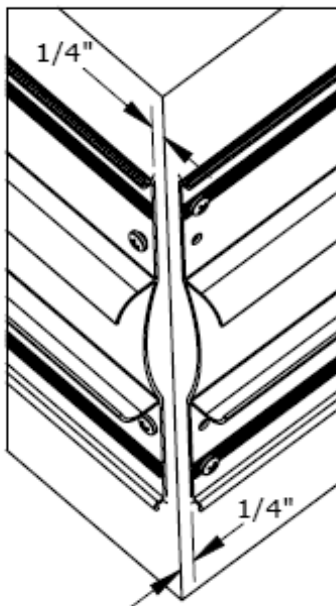
Step 2: Cutting the Base

Cutting the Base for Corners

The base pieces must be $\frac{1}{4}$ " from the edge of the corner of the mounting surface (Figure A.) The base cannot overlap at the corner.

Use a radial arm saw to cut the base.

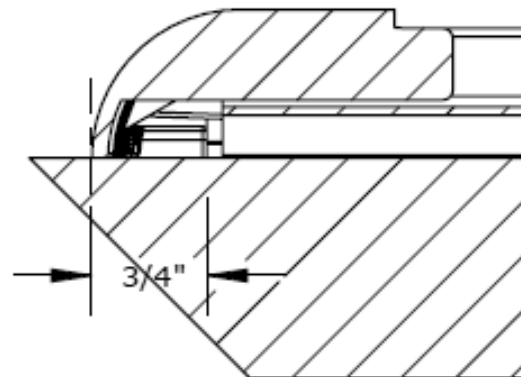
A. Corner



Cutting the Base for End Caps

Use a radial arm saw to cut the base $\frac{3}{4}$ " short of the corner edge (See Figure B.) When end cap is applied, it is important that the end cap stops $\frac{1}{4}$ " from the edge of the case or wall.

B. End Cap



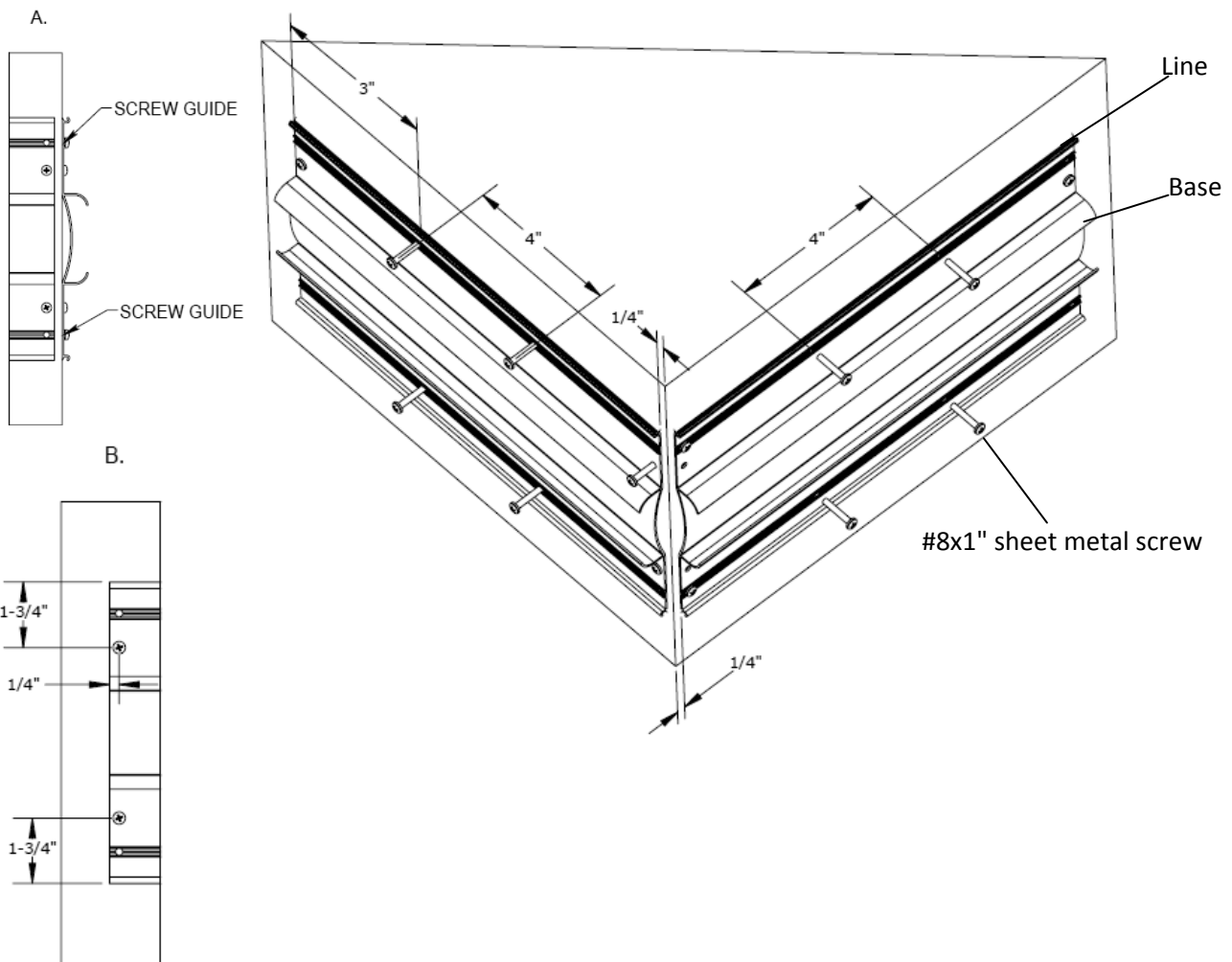
Step 3: Installing the Base

Line up the top of the base with the line that is marked on the case. Using a drill with a Phillips driver bit, attach the base to the mounting surface by placing #8 x 1 sheet metal screws in the screw guide holes (Figure A.) every 4 inches. Place first set of screws 3" from the cut edge of the base.

When using end caps and corners, install a screw 1-3/4" from the upper and lower edge of the base (Figure B.)

DO NOT over tighten screws.

DO NOT install end caps or corners unless there is a screw 1/4" from the end of base (Figure B.)



Step 3: Installing Corners

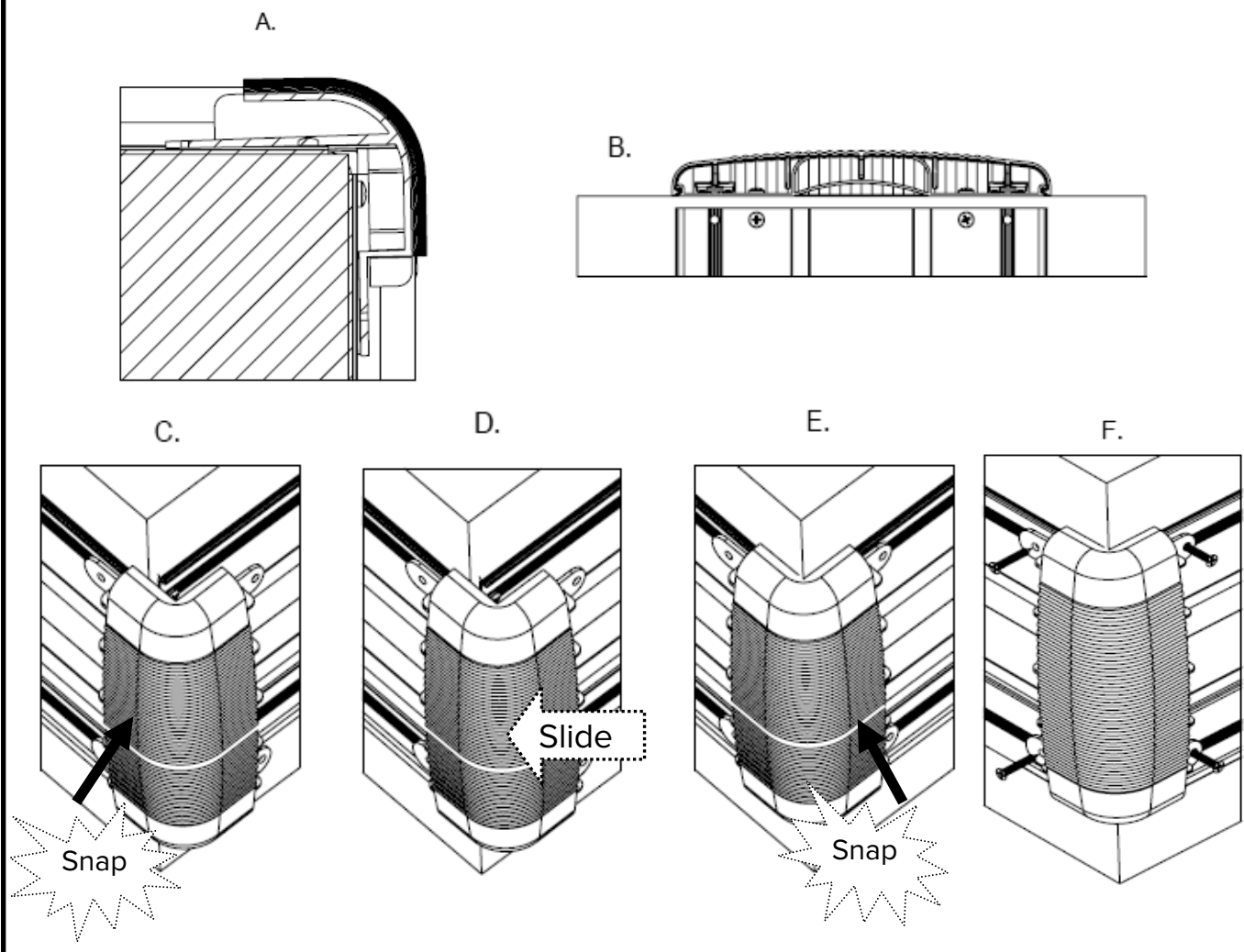
Corners have screw recesses which accommodate the screw that is positioned $\frac{1}{4}$ " from the ends of the base (Figure A.)

The corners have hooks that must snap into the hooks on the base to perform correctly (Figure B.)

Snap one side of the corner onto the base. (Figure B.) The corners have hooks which must engage with the base to perform correctly.

Snap one side of a corner onto the base (Figure C.) Slide the corner onto the base (Figure D.) and use mallet to engage the hooks on other side (Figure E.) and snap that side onto the base.

Screw corner to the mounting surface using #8 x 1 wood screws (Figure F.) Be sure that the screws hold the corner tightly against the mounting surface



Step 4: Installing End Caps

End caps have hooks which must engage with base to perform correctly (Figure A.)

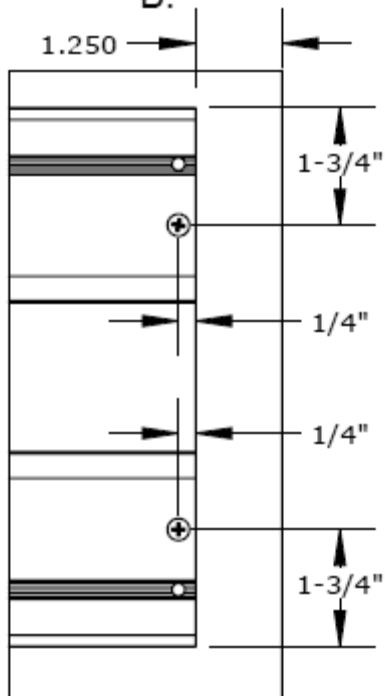
End caps have screw recesses which accommodate the screw placed $\frac{1}{4}$ " from ends of base (Figure B.)

Screw end caps to the mounting surface using #8 x 1 wood screws (Figure C.)

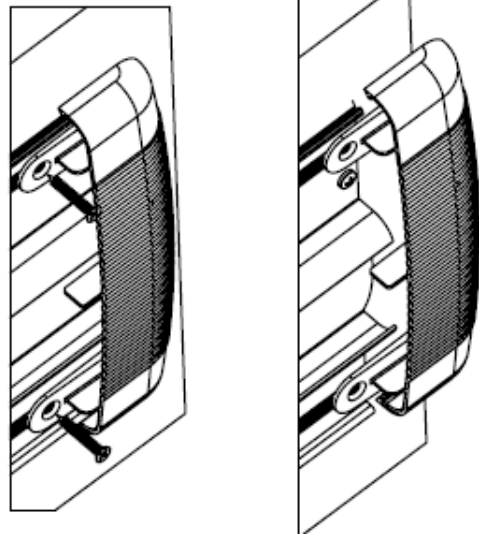
A.



B.



C.



Step 5: Installing Bumper Tops

To ensure a proper fit, use a tape measure to measure the distance between the end caps and corners where the bumper top will be placed or hold the bumper top between the end caps and corners and mark the bumper with a pencil.

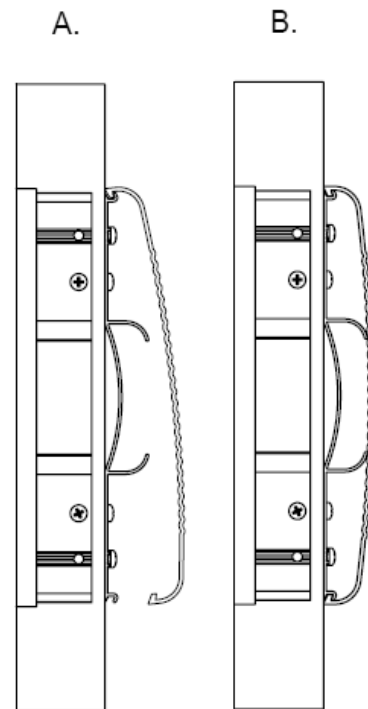
Use radial arm saw to cut the bumper top at 1/16" longer than the measured length. You may use a spacer piece against the bumper base to avoid the bumper top from flattening down during the cutting process.

Test fit to ensure that the bumper is not cut too short.

Deburr and clean all edges of the cut bumper prior to installation.

Hinge one side of the bumper onto the top track of the base (Figure A.) Then press the other side of the bumper onto the base. The bumper top should snap onto the base (Figure B.)

Use your hand or a rubber mallet to ensure that the entire length of the bumper top has properly engaged with the tracks on the base.



Step 6: Final Inspection

Inspect bumper to be sure that the corners are flush with the edge and there is no gapping between the bumper top and the ends and corners.

Installation is complete.

