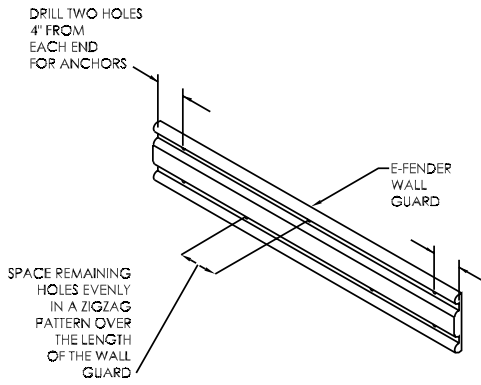


Installation Instructions

Heavy Duty Rubber E-Fender Wall Guard

FIG. 1

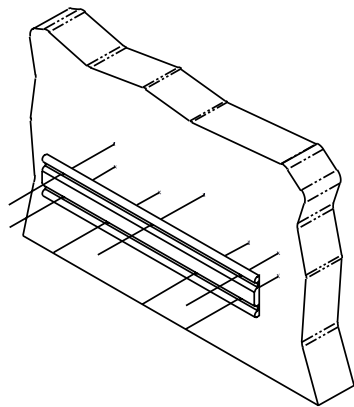


Note: Wall guards are rough-cut; cut square if needed. Height of the Wall Guard may vary over the length of the product. Match ends with similar height for best fit. To clean rubber products use water or, "Back to Black" tire cleaner for stubborn marks.

Please read all instructions before installing the wall guard.

1. Cut the wall guard to desired length. Select a $\frac{3}{8}$ " stainless steel fastener that is appropriate for the substrate. Drill $\frac{7}{16}$ " mounting holes in the wall guard. (fig 1)

FIG. 2



2. Use the wall guard as a template and mark the location of the mounting holes to the wall. Drill holes in the wall using the drill size recommended by the fastener manufacturer. (fig 2)

FIG. 3

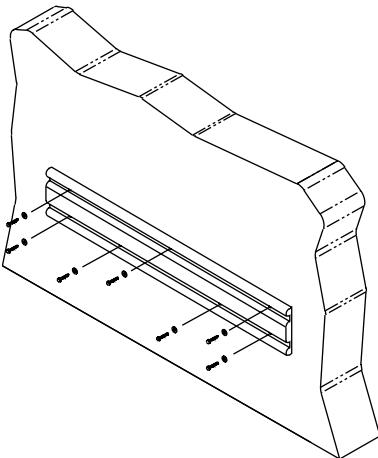
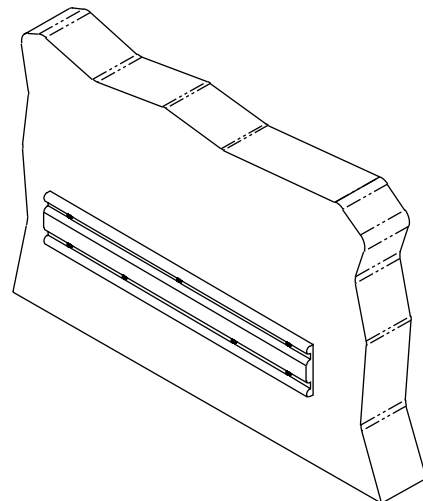


FIG. 4



IPC.409/REV.2

Installation Questions?

Contact our Installation Hotline 866.EZINPRO
For Sales & Customer Service call 800.222.5556