



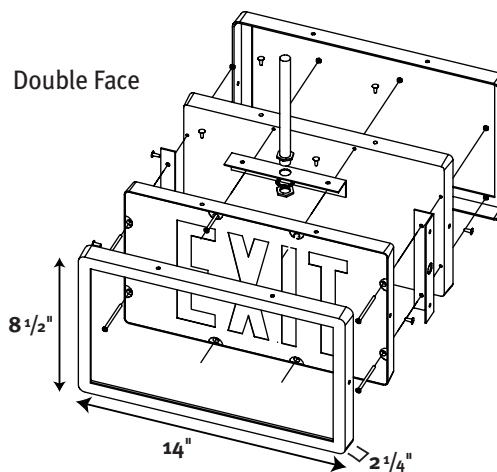
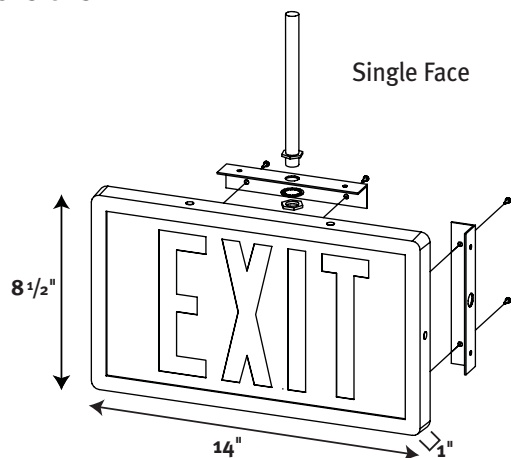
SELF-LUMINOUS EXIT SIGN

- Requires no electricity or external light source
- Maintenance free – no lamps or batteries to replace
- Easy to install – no wiring required
- Ideal for damp, wet and explosion proof applications
- Ideal for extreme temperatures (-67F to 176F)
- Service life – 10 or 20 years



ISOLITE Series SLX-60

Dimensions



Specifications

Overall Size: Single Face: 14" x 8 1/2" x 1"
Double Face: 14" x 8 1/2" x 2 1/4"

Weight: Single Face: 2.5 lbs.
Double Face: 5 lbs.

Frame: Flame retardant, UV stabilized, injection molded ABS frame

Letters: 6" high; 3/4" stroke, standard exit sign

Arrows: Universal chevrons

Service Life: 10 or 20 years

Approvals: UL Listed to UL 924 Standard, NFPA Life Safety Code 101

Warranty: Our self-luminous products are warranted against any defects in material or workmanship for the rated life of the product.

Special Wording and Pictograms Available



A continuous non-electrical source of illumination

Isolite Self-Luminous Signs are the practical solution for EXIT and safety marking requirements where performance can not be compromised. These signs are totally self-contained, highly durable and attractive. The Isolite Self-Luminous Signs are illuminated with a light source that consists of glass tubes internally coated with phosphor and filled with tritium gas, a natural isotope of hydrogen. They are completely free of any external energy source providing 10-20 years of continuously illuminated, maintenance-free operation and code compliance.

Ordering Information

| Model | # of Faces | Face Color | Service Life | Frame Color | Mounting Brackets | Options |
|--------|--------------------------|------------------------------------|--------------------------------|---------------------------------------|--|---------------------|
| SLX-60 | S = Single D = Double | R = Red G = Green BK = Black | 10 = 10 Years 20 = 20 Years | BK = Black WH = White GY = Gray | U = Universal mounting bracket PA = 12" Swivel Pendant PB = 24" Swivel Pendant PC = 36" Swivel Pendant PD = 48" Swivel Pendant | CW = Custom Wording |

Example: SLX60-S-R-10-BK

Project _____

Date _____ Type _____

Catalog Number _____

Remarks _____

Visit us on the web at www.isolite.com or email sales@isolite.com



Call the Isolite office nearest you.

HEADQUARTERS
31 Waterloo Avenue
Berwyn, PA 19312
800-888-5483
610-647-8200
610-296-8952 Fax

WESTERN OFFICE
3563 Sueldo, Suite M
San Luis Obispo, CA 93401
800-799-5343
805-546-9669
805-546-9564 Fax