

ROUGH OPENING: " X " "
CLEAR OPENING: " X " "
DEGREE OF OPENING: °
CAM QTY: Latch Side
 Top/Bottom Side

NOTES:

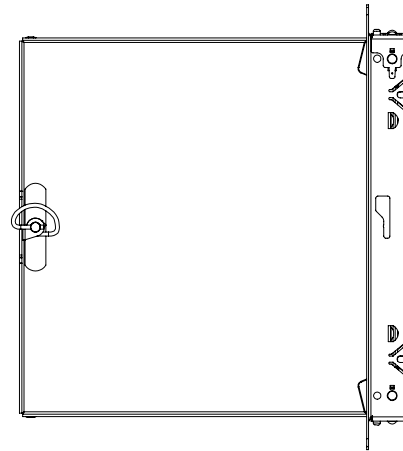
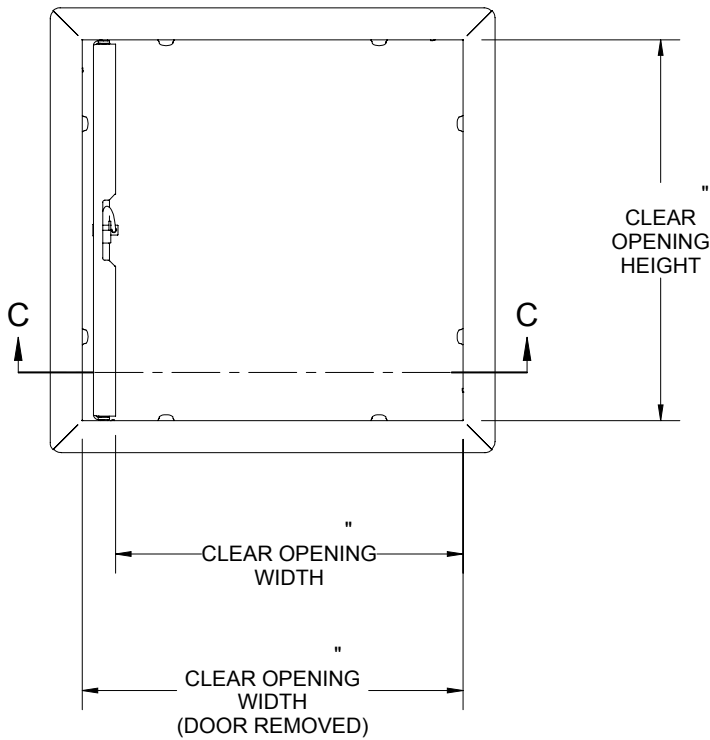
- ① **FRAME:** CRS 16 Ga, 1" Flange
- ② **DOOR:** CRS 14 Ga
- ③ **FINISH:** White Powder Coat
- ④ **HINGE:**
- ⑤ **LATCH:**
- ⑥ **LOCK:** No Lock

PROJECT:			
ARCHITECT:			
CONTRACTOR:			
QTY:			
PART#:			
		TITLE:	
		9300 73rd Avenue North Brooklyn Park, MN 55428	
NAME	DATE	SIZE	DWG. NO.
DRAWN		A	
RELEASED			

PROPRIETARY AND CONFIDENTIAL: THE INFORMATION CONTAINED IN THIS DRAWING IS THE SOLE PROPERTY OF NYSTROM. ANY REPRODUCTION IN PART OR AS A WHOLE WITHOUT THE WRITTEN PERMISSION OF NYSTROM IS PROHIBITED.

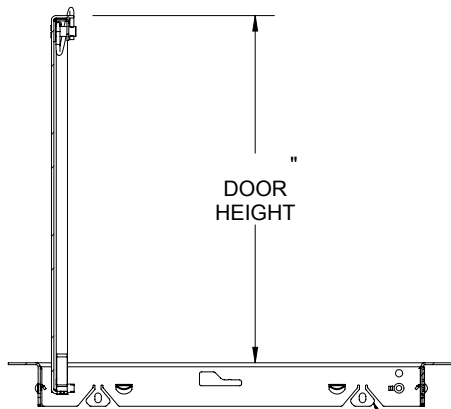
B

B

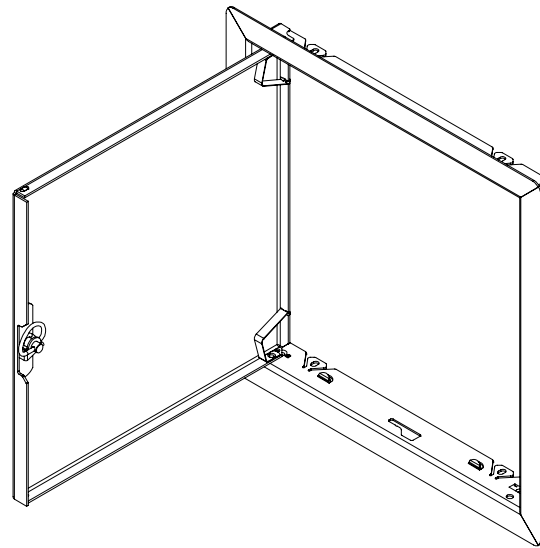



A

A



EASY INSTALL TABS
WITH 1/4" MOUNTING HOLE



PART#:		TITLE:		
 9300 73rd Avenue North Minneapolis, MN 55428				
NAME	DATE	SIZE	DWG. NO.	REV
DRAWN		A		-
RELEASED				