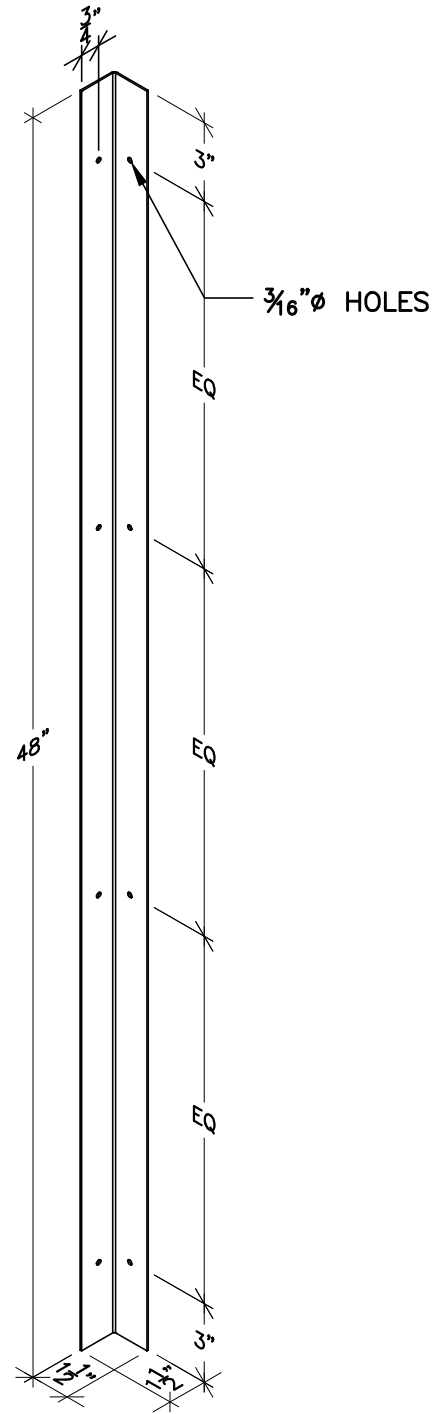
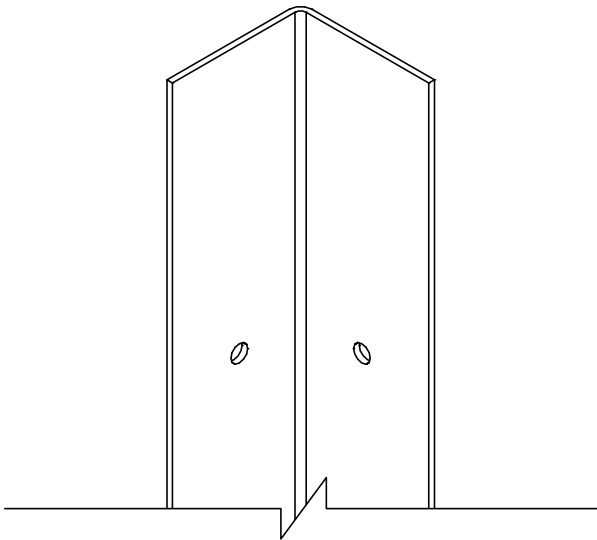


1 CORNER GUARD PLAN  
1.0 1'=1'-0"



E1 CORNER GUARD ISOMETRIC  
1.0 N.T.S

STAINLESS STEEL

CORNER GUARD (1/2" x 1/2" x 48")

16 ga. #4 Brushed Type 304

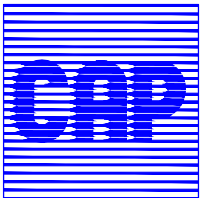
DRAWN BY : *Rios*

DATE : 07/02/2014

Project No.: n/a

SHEET NAME: SHEET NO.:

PLAN & ISOMETRIC 1.0



Columbia Architectural Products, Inc.

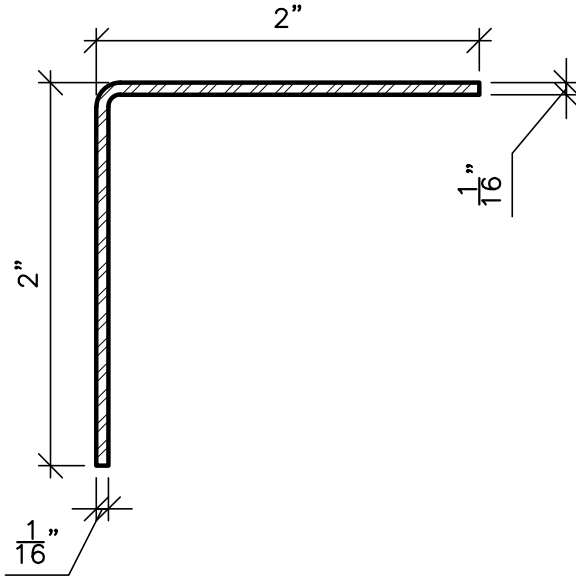
10722 Tucker Street Beltsville, MD 20705

Tel: 301-937-4383

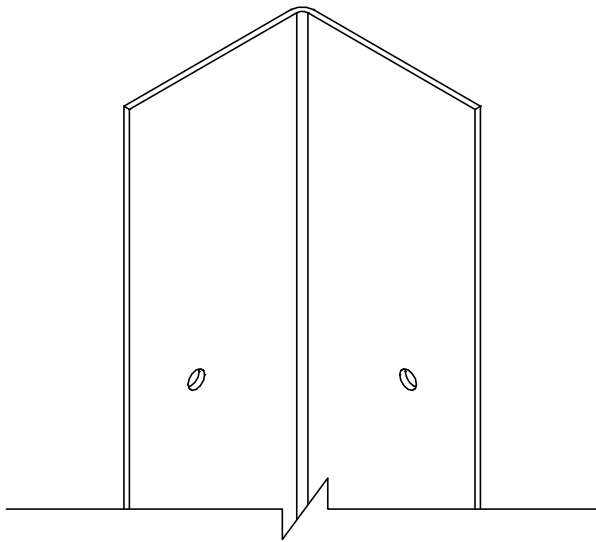
Fax: 301-937-6850

Email: tec.pan@verizon.net

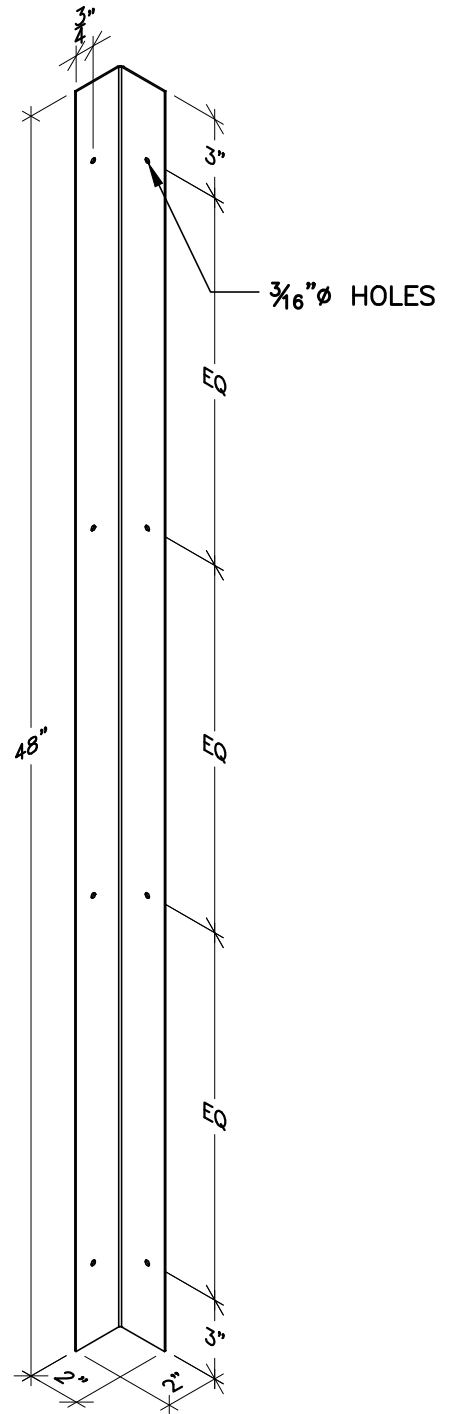
Site: www.capacm.com



1 CORNER GUARD PLAN  
1.0 1' = 1'-0"



E1 CORNER GUARD ISOMETRIC  
1.0 N.T.S



STAINLESS STEEL

CORNER GUARD (2" x 2" x 48")

16 ga. #4 Brushed Type 304

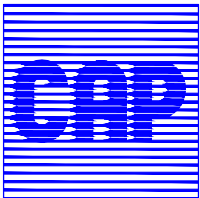
DRAWN BY : *Rios*

DATE : 07/02/2014

Project No.: n/a

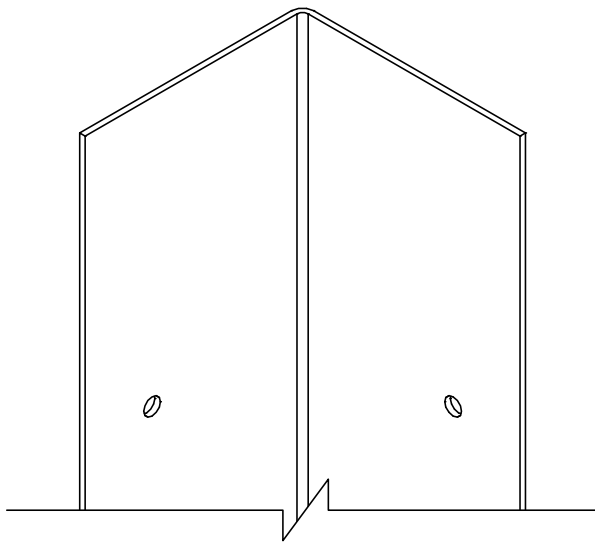
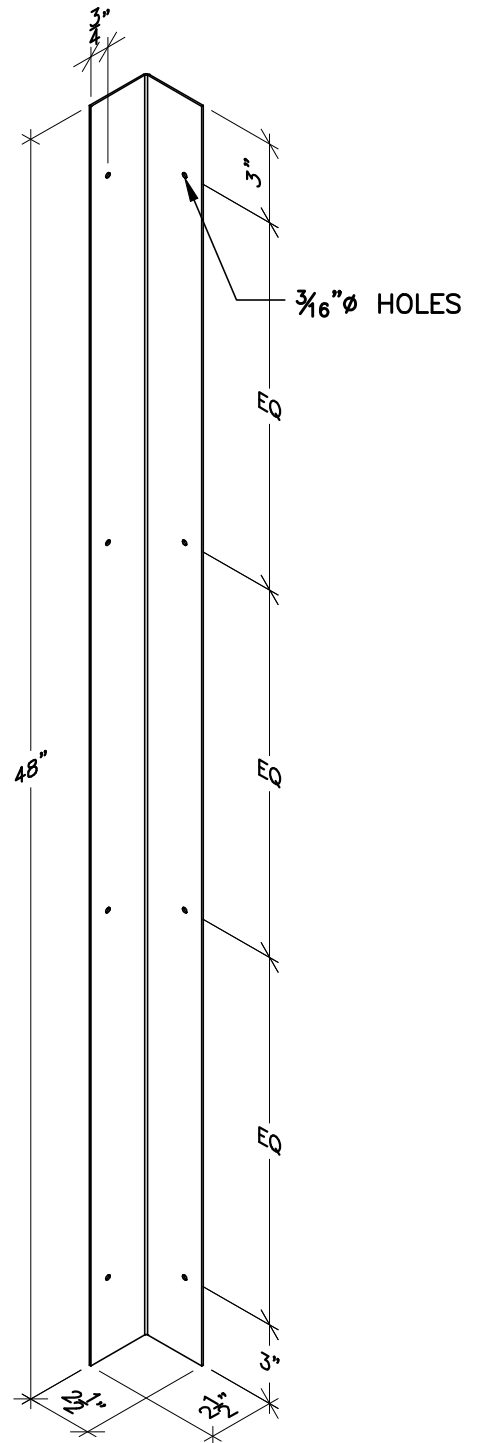
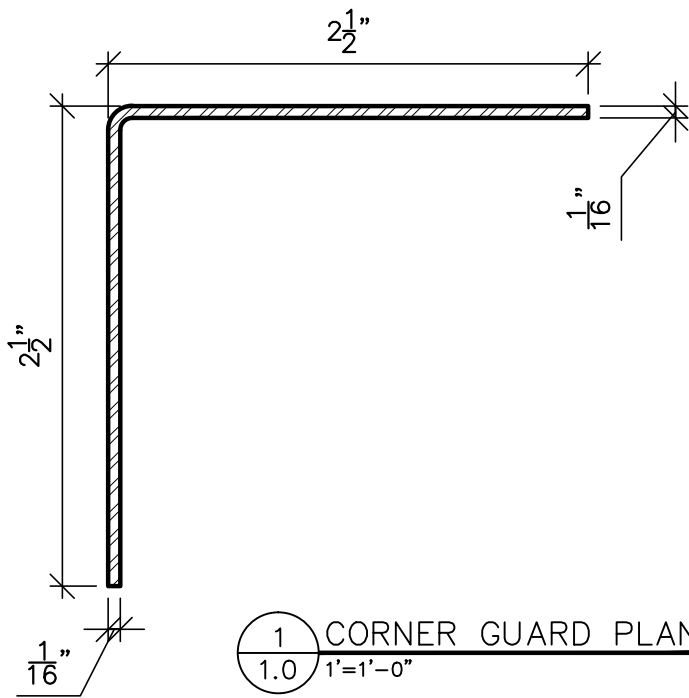
SHEET NAME: SHEET NO.:

PLAN & ISOMETRIC 1.0



Columbia Architectural Products, Inc.  
10722 Tucker Street Beltsville, MD 20705

Tel: 301-937-4383  
Fax: 301-937-6850  
Email: tec.pan@verizon.net  
Site: www.capacm.com

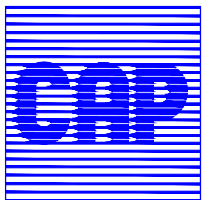


E1 CORNER GUARD ISOMETRIC  
1.0 N.T.S.

STAINLESS STEEL

CORNER GUARD (2 1/2" x 2 1/2" x 48")

16 ga. #4 Brushed Type 304



Columbia Architectural Products, Inc.  
10722 Tucker Street  
Beltsville, MD 20705

Tel: 301-937-4383  
Fax: 301-937-6850  
Email: tec.pan@verizon.net  
Site: www.capacm.com

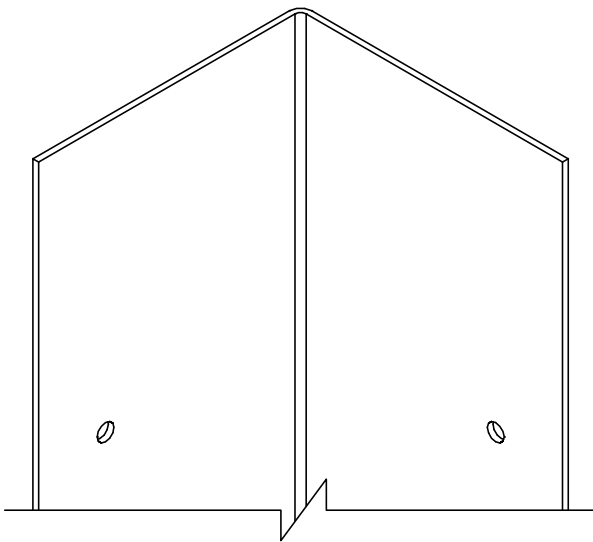
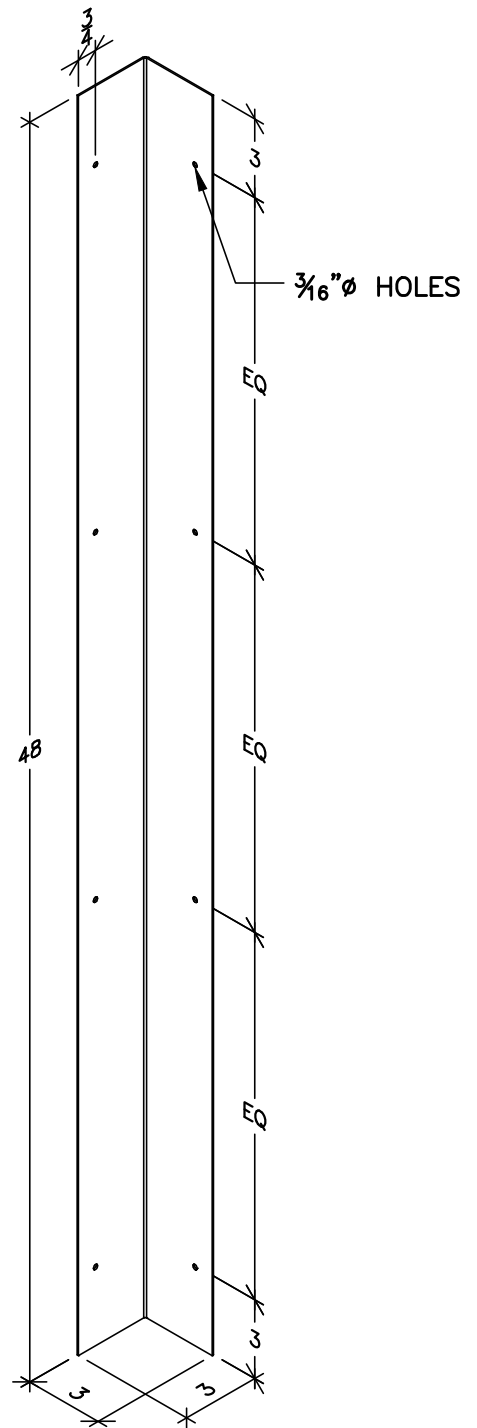
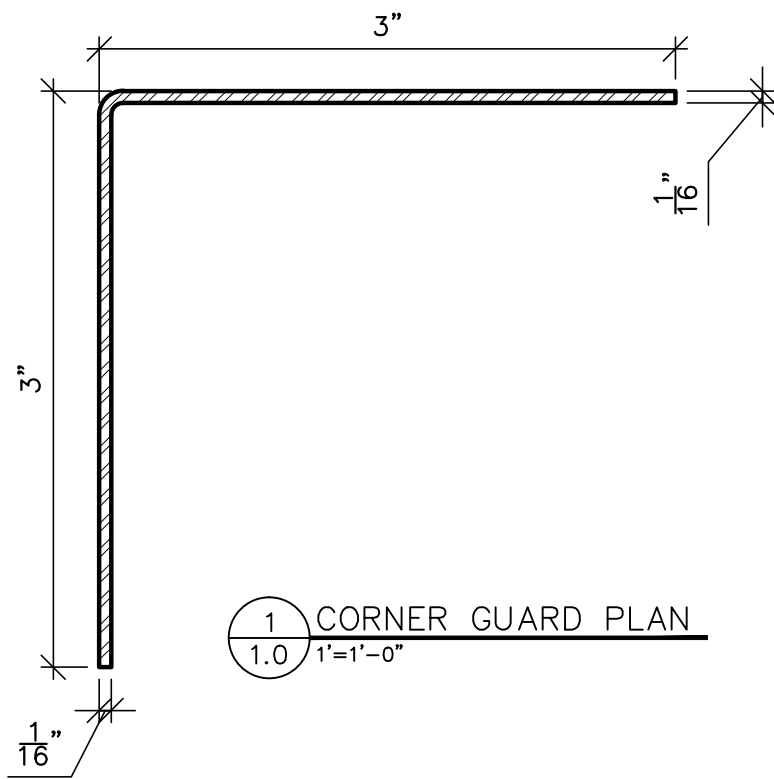
DRAWN BY : *Rios*

DATE : 07/02/2014

Project No.: n/a

SHEET NAME: SHEET NO.:

PLAN & ISOMETRIC 1.0



E1 CORNER GUARD ISOMETRIC  
1.0 N.T.S

STAINLESS STEEL

CORNER GUARD (3" x 3" x 48")

16 ga. #4 Brushed Type 304

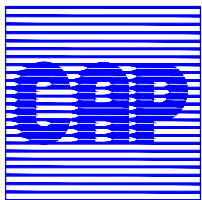
DRAWN BY : *Rios*

DATE : 07/02/2014

Project No.: n/a

SHEET NAME: SHEET NO.:

PLAN & ISOMETRIC 1.0



Columbia  
Architectural  
Products, Inc.

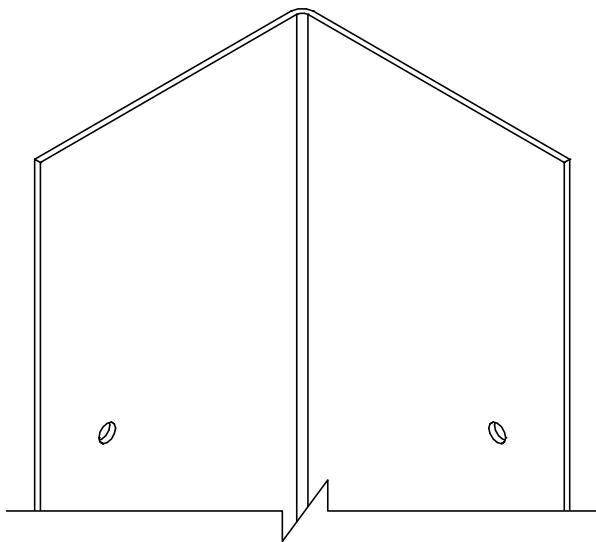
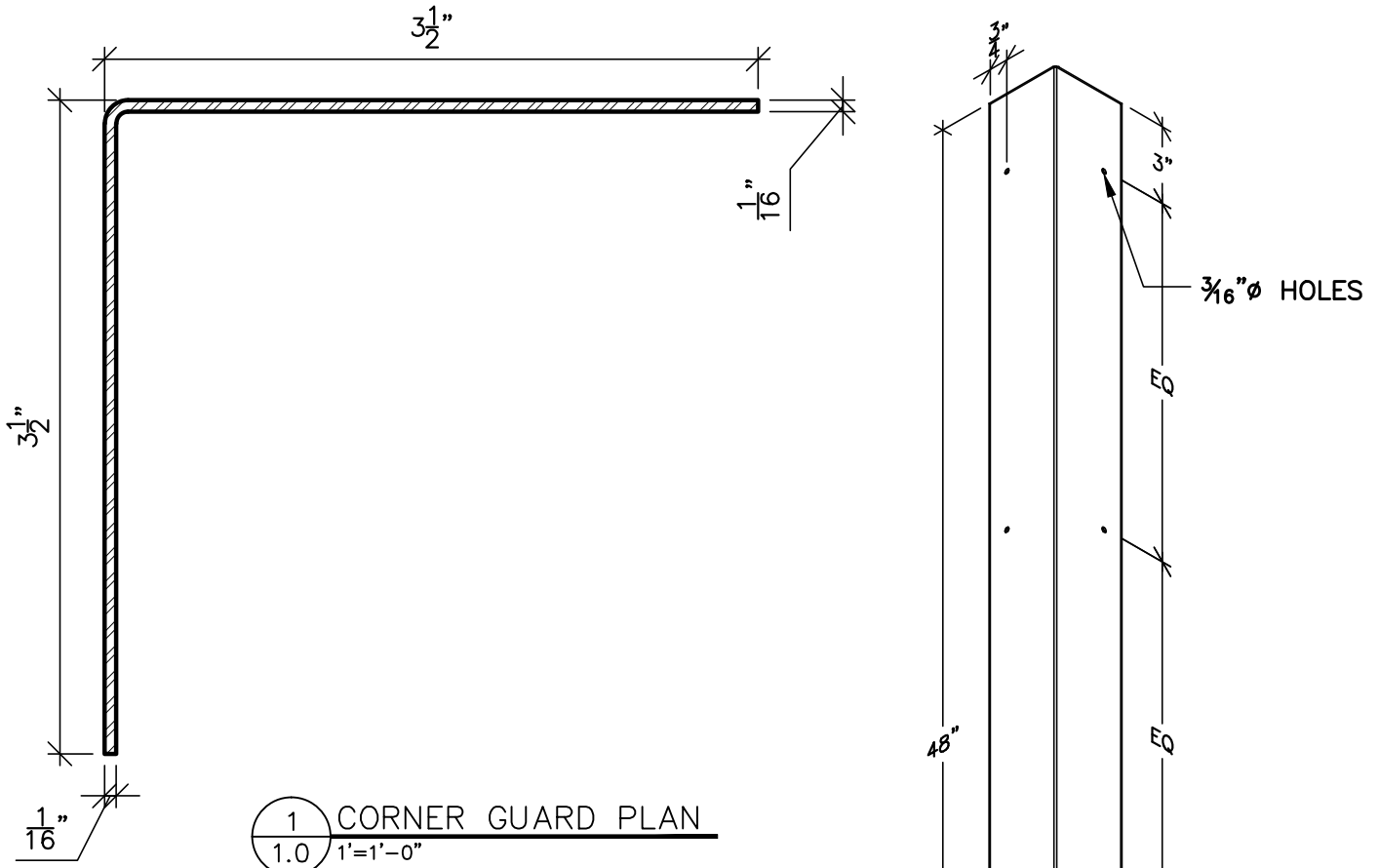
10722 Tucker  
Street Beltsville,  
MD 20705

Tel: 301-937-4383

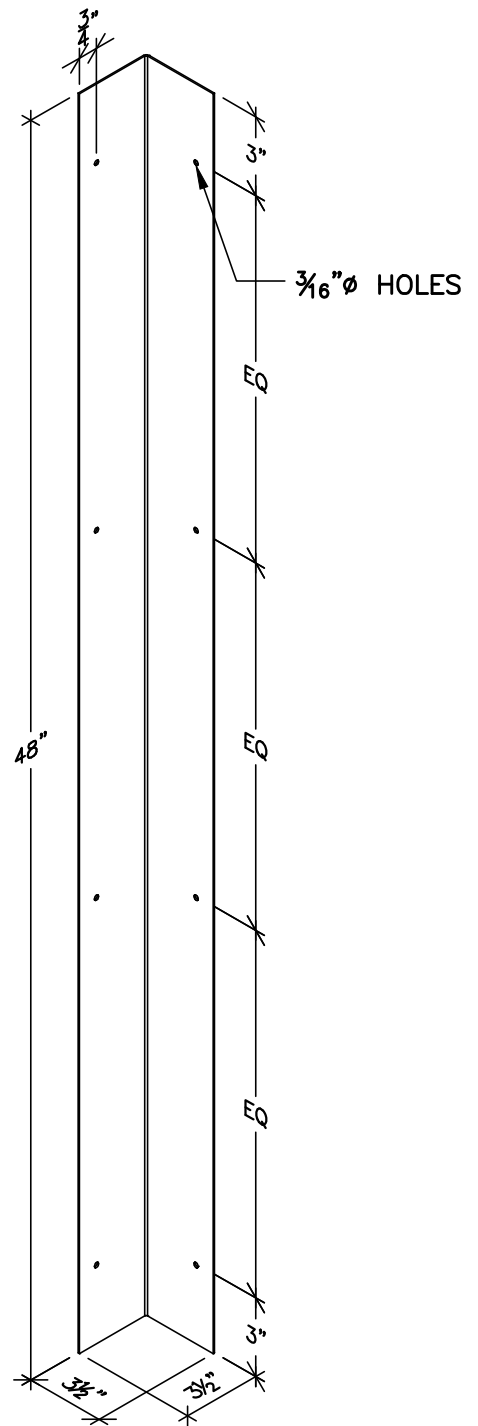
Fax: 301-937-6850

Email: tec.pan@verizon.net

Site: www.capacm.com



E1 CORNER GUARD ISOMETRIC  
1.0 N.T.S



STAINLESS STEEL

CORNER GUARD (3/8" x 3 1/2" x 48")

16 ga. #4 Brushed Type 304

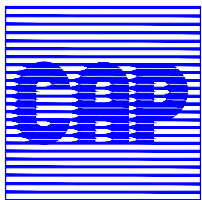
DRAWN BY : *Rios*

DATE : 07/02/2014

Project No.: n/a

SHEET NAME: SHEET NO.:

PLAN & ISOMETRIC 1.0



Columbia Architectural Products, Inc.  
10722 Tucker Street  
Beltsville, MD 20705

Tel: 301-937-4383  
Fax: 301-937-6850  
Email: tec.pan@verizon.net  
Site: www.capacm.com