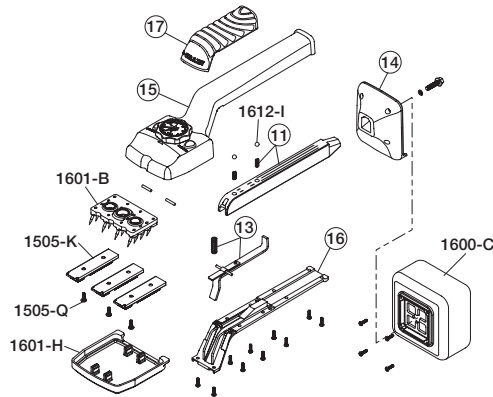


INSTRUCTIONS

1. **USAGE:** Knee kickers are to be used for setting carpet on the pins of the tack strip, or for light stretching in cramped areas. Use a power stretcher to stretch in rooms. Hard kicking causes knee injuries. Do not use a knee kicker on stairs, as you can lose balance or miss the bumper. Use a stair stretcher (Crain No. 507 or No. 518).
2. **LENGTH ADJUSTMENT:** A press of the trigger allows the choice of 5 length adjustments from 18 ½" to 22 ½".
3. **PIN PENETRATION:** The pin adjustment dial gives a visual reference showing pin depth. Set the depth to the approximate carpet thickness. In use, the long pins should reach through the pile into the carpet backing, but not through the backing.
4. **BUMPER PAD ROTATION:** The bumper is seamless and is foam-filled. The pad can be turned for an even distribution of wear.

PARTS DIAGRAM



MODEL No. 605

<i>Order No.</i>	<i>Description</i>
1505-K	Gripper Inserts (3)
1505-Q	Gripper Screws (3)
1600-C	Bumper & Screws (4)
1605-11	Adjusting Pole, Springs & Balls
1605-13	Trigger Assembly & Spring
1605-14	Bumper Support & Screw
1605-15	Main Body & Knob Assembly
1605-16	Bottom Cover & Screws
1605-17	Grip
1601-B	Pin Plate
1601-H	Cover Cap
1612-I	Balls & Springs Set

CRAIN CUTTER CO., INC.
1155 WRIGLEY WAY
MILPITAS, CA 95035-5426

PLACE
STAMP
HERE

PLEASE FILL OUT AND MAIL
THIS CARD TO VALIDATE YOUR
CRAIN GUARANTEE.

NAME _____

ADDRESS _____

CITY _____

STATE _____ ZIP _____

TOOL PURCHASED:

No. 605 Deluxe Knee Kicker

PURCHASED FROM _____

DATE PURCHASED _____

PLEASE CHECK

- INDIVIDUAL FLOORING INSTALLER
 WORKROOM
 FLOORING DEALER
 INSTALLATION CONTRACTOR
 OTHER _____

CRAIN

GUARANTEE

This Crain Knee Kicker is guaranteed to be free of defects in workmanship or quality of materials for a period of three years.

Any parts of tools found defective subject to the guarantee will be replaced at no charge. Credit in full or part cannot be extended by the distributor. New tools will not be given as replacements for those pending a warranty adjustment.

All merchandise returned subject to this warranty must be in complete, assembled condition and should be shipped **FREIGHT PREPAID** to **CRAIN CUTTER CO., INC.**, Milpitas, CA. A copy of the Bill of Sale (proof of purchase) must be included. No consideration will be given to unassembled parts. All disputes will be up to the determination of the **CRAIN CUTTER CO., INC.** and their decision will be final. The liability of the company is limited to repairing or replacing any defective products.